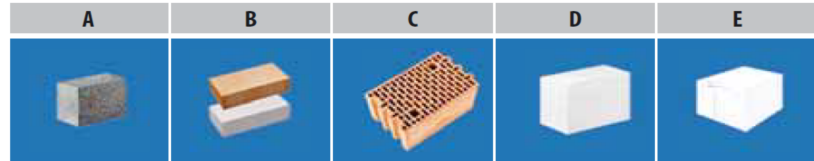


TASSELLO CHIEDO IN ACCIAIO

Descrizione:

A battere con perno in acciaio liscio e testa nylon



Calcestruzzo

Mattoni di argilla solida, mattoni di silicato di calcio

Blocchi porosi

Elementi su aggregato leggero LAC

Calcestruzzo aerato

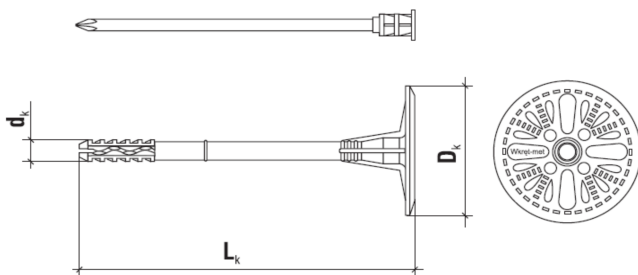
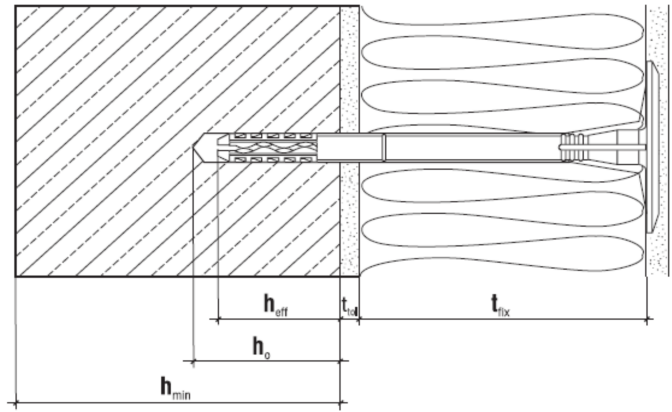
ARTICOLO	Ø x Lt	Spessore isolamento	pezzi per scatola
7095W	8 x 95	60/20*	200
7115W	8 x 115	80/40*	200
7135W	8 x 135	100/60*	200
7155W	8 x 155	120/80*	200
7175W	8 x 175	140/100*	200
7195W	8 x 195	160/120*	200

* per substrato utilizzare la categoria E (calcestruzzo aerato)

TECHNICAL DATA

Parameter	Unit	Value	
Plug diameter	d_k [mm]	8	
Washer diameter	D_k [mm]	60	
Anchorage depth	h_{eff} [mm]	25/65*	
Drilled hole depth	h_0 [mm]	35/75*	
Thermal conductivity	χ [W/K]	Surface mount	immersed mount
		0.004	0.002
Washer stiffness	S [kN/mm]	0.50	
Use categories	-	A B C D E	
Plug material	-	PE	
Pin material	-	Carbon steel, nylon coated head	
Technical Approval	-	ETA-16/0509	

* - for substrate use category E (aerated concrete)



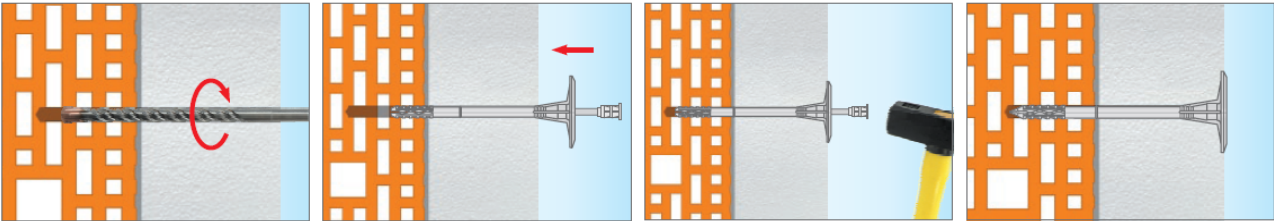
RESISTANCE

ETAG 014 use cat.	Substrate	Density [kg/dm³]	Characteristic pull-out resistance
A	Concrete C12/15	≥ 2.25	0.50
A	Concrete 20/25 - C50/60	≥ 2.30	0.75
B	Solid clay bricks	≥ 2.00	0.75
B	Calcium silica solid brick	≥ 2.00	0.75
C	Calcium silicate hollow blocks	≥ 1.60	0.75
C	Vertically perforated clay bricks	≥ 1.20	0.60
C	Porothers 25	≥ 0.80	0.40
D	Lightweight concrete blocks LAC	≥ 0.88	0.75
E	Autoclaved aerate concrete AAC2	≥ 0.35	0.75
E	Autoclaved aerate concrete AAC7	≥ 0.65	0.90

Partial safety factor for anchor resistance $\gamma_m = 2$ (valid in absence of national regulations)

Metodo di installazione

Installation spot visible



Installation spot covered up with a polystyrene disc

