

TASSELLO PVC CON CHIEDO ASSEMBLATO

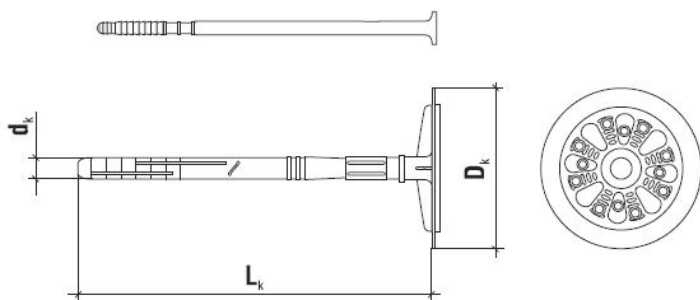
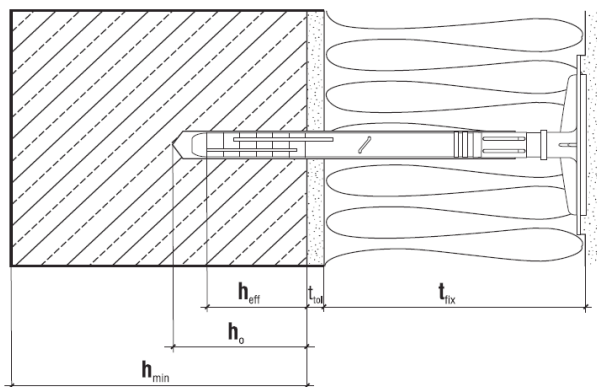
CODICE	DESCRIZIONE	CONF.	UM
10110W	Tassello chiodo PVC a battere "Assemblato" diam. 8 – lungo 110mm	200PZ	CF
10130W	Tassello chiodo PVC a battere "Assemblato" diam. 8 – lungo 130mm	200PZ	CF
10150W	Tassello chiodo PVC a battere "Assemblato" diam. 8 – lungo 150mm	200PZ	CF
10170W	Tassello chiodo PVC a battere "Assemblato" diam. 8 – lungo 170mm	200PZ	CF
10190W	Tassello chiodo PVC a battere "Assemblato" diam. 8 – lungo 190mm	200PZ	CF
10210W	Tassello chiodo PVC a battere "Assemblato" diam. 8 – lungo 210mm	100PZ	CF

ETAG 014 use cat.

A	B	C	D	E
Concrete	Solid clay bricks, Calcium silicate bricks	Porous blocks	Elements on LAC lightweight aggregate	Aerated concrete

TECHNICAL DATA

Parameter	Unit	Value
Plug diameter	d_k [mm]	8
Washer diameter	D_k [mm]	60
Anchorage depth	h_{eff} [mm]	40
Drilled hole depth	h_o [mm]	50
Thermal conductivity	χ [W/K]	0.00
Washer stiffness	S [kN/mm]	0.60
Use categories	-	A B C D E
Plug material	-	PE
Pin material	-	PA + GF
European Technical Approval	-	ETA-15/0373



$d_k \times L_k$ [mm]	Insulation material thickness t_{fix} [mm]		Pcs
	New buildings	Old buildings	
	t_{tot} adhesive layer of 10 mm	t_{tot} adhesive layer of 10 mm + 20 mm of old plaster	
8x110	60	40	200
8x130	80	60	200
8x150	100	80	200
8x170	120	100	200
8x190	140	120	200
8x210	160	140	100